

# Scratchbook Order Form

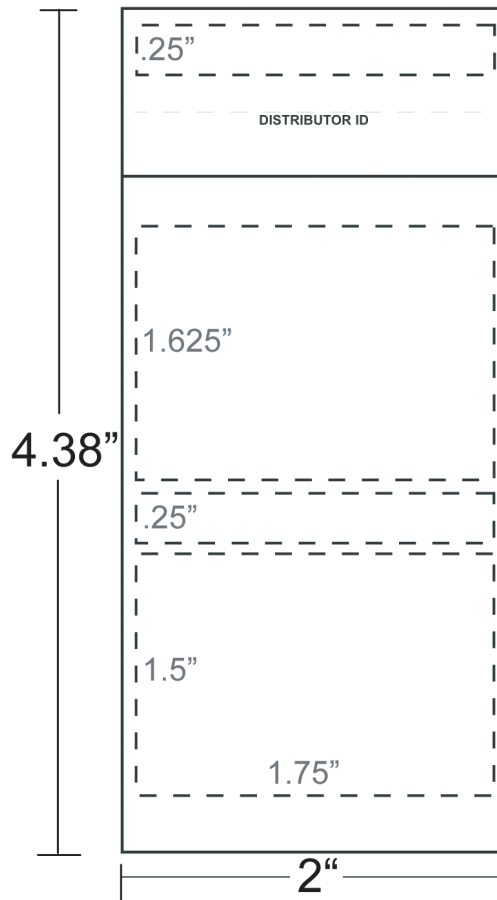
This order form may be copied for your use

**1**

|          |             |         |     |
|----------|-------------|---------|-----|
| P.O. No. | Distributor | Ship To |     |
| Date     | Phone       |         | Fax |
|          | Contact     |         |     |
|          | Signature   |         |     |

**2** Please write copy in boxed areas below and indicate desired font, or attach electronic artwork.

Templates below are not actual size.



**3**

| Quantity         | Number of Colors | Unit Price | Misc. Charges | Total |
|------------------|------------------|------------|---------------|-------|
|                  |                  |            |               |       |
| Freight          |                  |            |               |       |
| Tax (or resale#) |                  |            |               |       |
| Total Cost:      |                  |            |               |       |

**4**

Credit Card Type \_\_\_\_\_

Acct. No. \_\_\_\_\_

Expiration Date \_\_\_\_\_

Signature \_\_\_\_\_

